

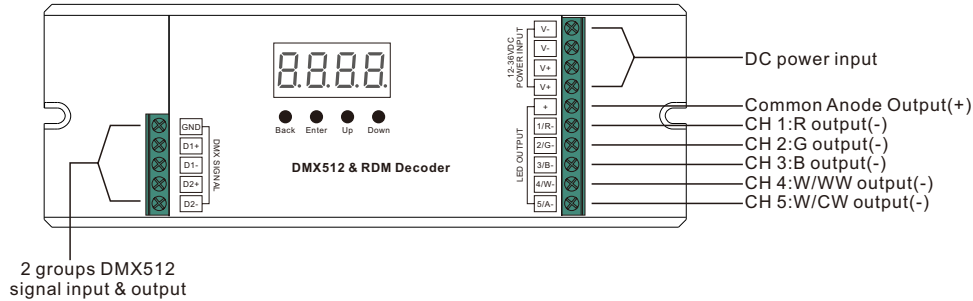
# Ultra-Pro 5CH RDM DMX512 Decoder

70060031



**Important:** Read All Instructions Prior to Installation

## Function introduction



## Product Data

Input Voltage	Output Current	Output Power	Remarks	Size(LxWxH)
12-36VDC	5x5A	5x(60-180)W	Constant voltage	170x59x29mm

- DMX512 RDM decoder, RDM function can realize intercommunication between DMX master and decoder. for example, you can set DMX decoder's address by DMX master console.
- Total 5 PWM output channels, common anode. DMX channel quantity from 1CH~5CH settable
- PWM output resolution ratio 8bit , 16bit settable.
- Output PWM frequency from 500HZ ~ 35K HZ settable.
- Output dimming curve gamma value from 0.1 ~ 9.9 settable.
- Decoding mode settable.
- Galvanic isolation

## Safety & Warnings

- DO NOT install with power applied to device.
- DO NOT expose the device to moisture.

## Operation

Before you do other settings, please set the device to be Master or Decoder mode.

**run1** = DMX Decoder mode, **run2** = DMX Master mode(stand alone).

Keep on clicking Down button, to get run1 or run2, then click Enter, then click Down button to choose 1 or 2, then click Back button.

After choose run1 or run2, please power off and power on again the device.

**I. For run2 DMX Master mode:** After power on the device, if keep on clicking Up button, you will find below menu on display:

**0000** Means brightness for each output PWM channel. First 1 means PWM output channel 1 and it is selectable from 1 to 4 by clicking "UP" or "Down" button. Second 01 means brightness level, click "Enter" button, the display flashes, then click "UP" or "Down" button to select from 00-99-FL, which means 0%-99%-100% brightness, then click "Back" button to confirm.



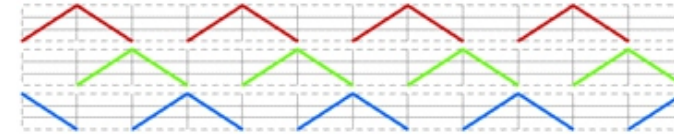
**P-XXX** Means programs , total 1~31 programs.

**B-XX** Means RGB running effect's brightness, total 1~8 levels brightness

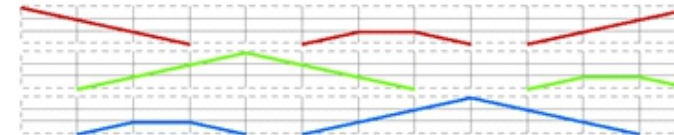
**SP-X** Means effect play speed. total 1~9 levels speed.

P-XX means RGB color changing modes, total 31 programs:

- 00- RGB off
- 01- Static red
- 02- Static green
- 03- Static blue
- 04- Static yellow (50% red+50% green)
- 05- Static orange (75% red+25% green)
- 06- Static cyan (50% green+50% blue)
- 07- Static purple (50% blue+50% red)
- 08- Static white (100% red+100% green+100% blue)
- 09- Any two colors of RGB mix fade, changing diagram as follow:



10- RGB colors mix fade, changing diagram as follow:



11- RGB FADE OUT & FADE IN, changing diagram as follow:



12- RGB jump changing, changing diagram as follow:



13- RGB FADE IN, changing diagram as follow:



14- RGB FADE OUT, changing diagram as follow:



- 15- RGB 3 colors strobe
- 16- White color strobe (100% red+100% green+100% blue)
- 17- 7 colors FADE OUT & FADE IN (red, orange, yellow, green, cyan, blue, purple FADE OUT & FADE IN)
- 18- 7 colors jump changing (red, orange, yellow, green, cyan, blue, purple jump changing)
- 19- 7 colors strobe (red, orange, yellow, green, cyan, blue, purple strobe)
- 20- Red-white (100% red+100% green+100% blue) circle gradual changing
- 21- Green-white (100% red+100% green+100% blue) circle gradual changing
- 22- Blue-white (100% red+100% green+100% blue) circle gradual changing
- 23- Red-orange circle gradual changing
- 24- Red-purple circle gradual changing
- 25- Green-yellow circle gradual changing
- 26- Green-cyan circle gradual changing
- 27- Blue-purple circle gradual changing
- 28- Blue-cyan circle gradual changing
- 29- Red-yellow-green circle gradual changing
- 30- Red-purple-blue circle gradual changing
- 31- Green-cyan-blue circle gradual changing

**run2** Means the device at run2 mode (DMX master, standalone).

To make a setting is like this: Up/Down--- Enter--- Up/Down---Back

**II. For run1 DMX decoder mode:** After power on the decoder, if keep on clicking Up button, you will find below menu on display:

DMX signal indicator ● :: When DMX signal input is detected, the indicator on the display following after **A** turns on red **A.XXX** .

**A.XXX** Means DMX address. factory defaults setting is 001.

**EHXX** Means DMX channels quantity.

**EEXX** Means Bit (8bit or 16bit). factory defaults setting is 16bit

**PEXX** Means output PWM frequency. factory defaults setting is 10K HZ

**REXX** Means output dimming curve gamma value, factory defaults setting is ga 1.5

**DEXX** Means Decoding mode, factory defaults setting is dp1.1

**run1** Means the device at run1 mode (DMX decoder).

**DMX address is 001, CH01**

DMX Console Slider number	dp1.1	dp2.1
DMX channel		
1	for all output dimming	for all output dimming
2	No use	for all output fine dimming

**DMX address is 001, CH02**

DMX Console Slider number	dp1.1	dp2.1	dp3.2
DMX channel			
1	for output 1&3 dimming	for output 1&3 dimming	for output 1&3 dimming
2	for output 2,4 &5 dimming	for output 1&3 fine dimming	for output 2,4 &5 dimming
3		for output 2,4 &5 dimming	for all output dimming
4		for output 2,4&5 fine dimming	

**DMX address is 001, CH03**

DMX Console Slider number	dp1.1	dp2.1	dp4.3	dp5.3
DMX channel				
1	for output 1 dimming	for output 1 dimming	for output 1 dimming	for output 1 dimming
2	for output 2 dimming	for output 1 fine dimming	for output 2 dimming	for output 2 dimming
3	for output 3,4 &5 dimming	for output 2 dimming	for output 3,4&5 dimming	for output 3,4&5 dimming
4		for output 2 fine dimming	for all output master dimming	for all output master dimming
5		for output 3,4 &5 dimming		strobe effects
6		for output 3,4&5 fine dimming		

**DMX address is 001, CH04**

DMX Console Slider number	dp1.1	dp2.1	dp5.4	dp6.4
DMX channel				
1	for output 1 dimming	for output 1 dimming	for output 1 dimming	for output 1 dimming
2	for output 2 dimming	for output 1 fine dimming	for output 2 dimming	for output 2 dimming
3	for output 3 dimming	for output 2 dimming	for output 3 dimming	for output 3 dimming
4	for output 4&5 dimming	for output 2 fine dimming	for output 4&5 dimming	for output 4&5 dimming
5		for output 3 dimming	for all output master dimming	for all output master dimming
6		for output 3 fine dimming		strobe effects
7		for output 4 &5 dimming		
8		for output 4&5 fine dimming		

By holding button Back + Enter together at the same time over 5 seconds until the display go off, it will restore default settings .

**1. DMX address setting:**

select menu **A.XXX** , click button "Enter", display flashes,then click or hold button "Up" / "Down" to set DMX address (click is slow, hold is fast.), then click button"Back" to confirm.

**2. DMX channel quantity setting:**

Select menu **EHXX** , click button "Enter", display flashes, then click button "Up" / "Down" to set DMX channel quantity , then click button"Back" to confirm.

For example the DMX address is already set 001.

CH01=1 DMX address for all the output channels, which are all address 001.

CH02=2 DMX addresses , output 1&3 is address 001, output 2,4&5 is address 002

CH03=3 DMX addresses, output 1, 2 is address 001,002, output 3,4&5 is address 003

CH04=4 DMX addresses, output 1,2,3 is address 001,002,003, output 4&5 is address 004

CH05=5 DMX addresses, output 1,2,3,4,5 is address 001,002,003,004,005.

**3. PWM output resolution Bit setting:**

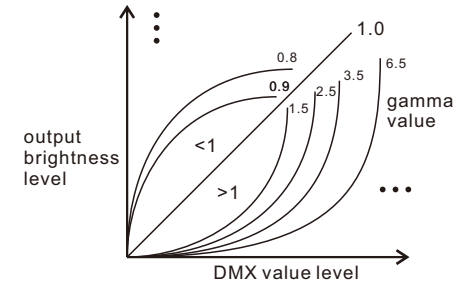
select menu **EEXX** , click button "Enter",display flashes, then click button "Up" / "Down" to choose 08 or 16 bit, then click button"Back" to confirm.

**4. output PWM frequency setting:**

select menu **PEXX** , click button "Enter", display flashes,then click button "Up" / "Down" to choose 00~35, then click button"Back" to confirm. 00=500HZ, 01=1kHz, 02=2kHz.....25=25kHz, 35=35kHz.

**5. output dimming curve gamma value setting:**

select menu **REXX** , click button "Enter", display flashes, then click or hold button "Up" / "Down" to choose 0.1~9.9, then click button"Back" to confirm.



**6. DMX decoding mode setting:**

Select menu **dPEXX** , click button "Enter", display flashes, then click or hold button "Up" / "Down"to choose the decoding mode, then click button"Back" to confirm. "dPxx" means the DMX address quantity used for control of corresponding PWM output channel quantity. 1st "x" is DMX address quantity, 2nd "x" is PWM channel quantity.

Fine dimming: the micro dimming effect can only be visible when the dimming curve gamma value is set lower than 1.4, and the lower the value is, the more visible the fine dimming effect will be.

### DMX address is 001, CH05

DMX Console Slider number	dp1.1	dp2.1	dp6.5	dp7.5
1	for output 1 dimming	for output 1 dimming	for output 1 dimming	for output 1 dimming
2	for output 2 dimming	for output 1 fine dimming	for output 2 dimming	for output 2 dimming
3	for output 3 dimming	for output 2 dimming	for output 3 dimming	for output 3 dimming
4	for output 4 dimming	for output 2 fine dimming	for output 4 dimming	for output 4 dimming
5	for output 5 dimming	for output 3 dimming	for output 5 dimming	for output 5 dimming
6		for output 3 fine dimming	for all output master dimming	for all output master dimming
7		for output 4 dimming		strobe effects
8		for output 4 fine dimming		
9		for output 5 dimming		
10		for output 5 fine dimming		

### The data definitions for strobe channel are as follows:

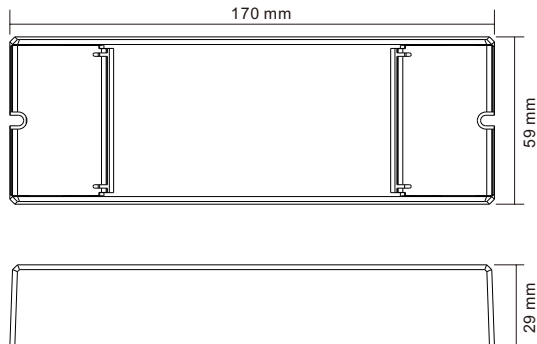
```
{0, 7},//undefined
{8, 65},//slow strobe-->fast strobe
{66, 71},//undefined
{72, 127},//slow push fast close
{128, 133},//undefined
{134, 189},//slow close fast push
{190, 195},//undefined
{196, 250},//random strobe
{251, 255},//undefined
```

### Restore to Factory Default Setting

Press and hold down both "Back" and "Enter" keys until the digital display turns off, then release the keys, system will reset and the digital display will turn on again, all settings will be restored to factory default.

Default settings are as follows:  
 DMX Address Code: a001  
 DMX Address Quantity: SW1=0: ch05, SW1=1: ch04  
 PWM Resolution Mode: bt16  
 PWM Frequency: pf01  
 Gamma: ga1.5  
 Decoding Mode: dp1.1

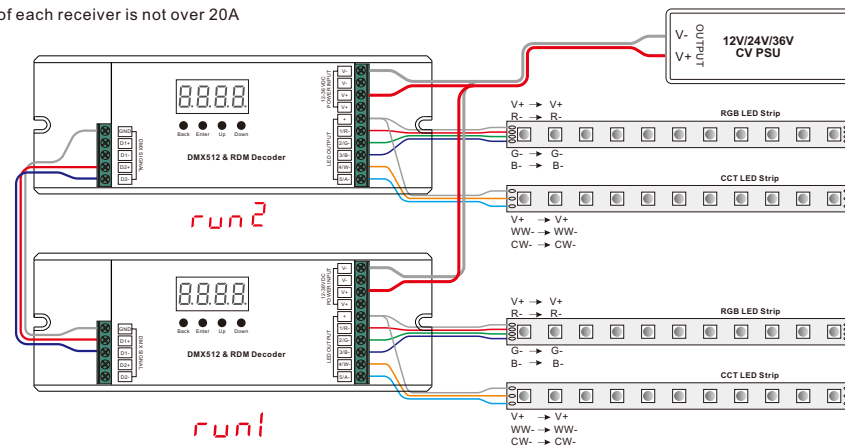
### Product Dimension



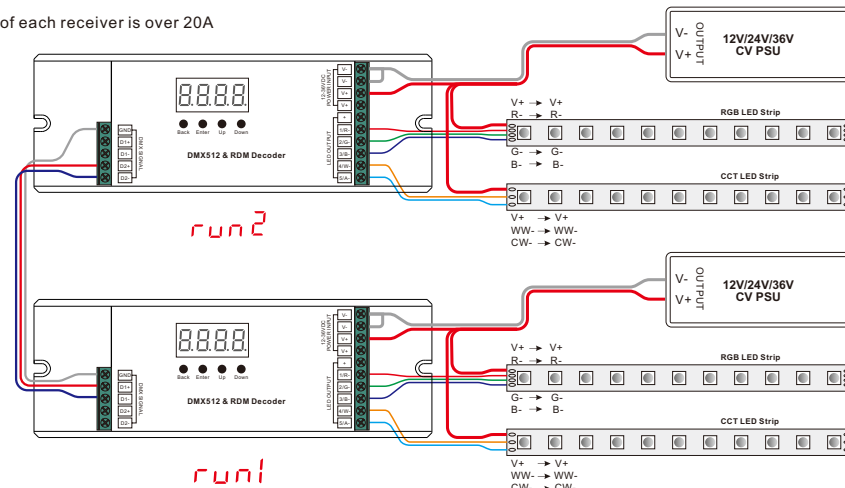
### Wiring Diagram

#### 1. Work as Master mode

1) When total load of each receiver is not over 20A

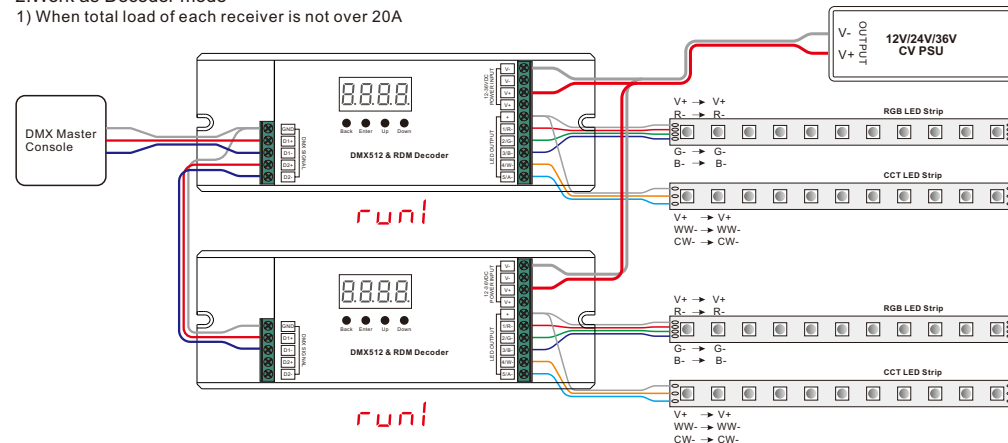


2) When total load of each receiver is over 20A

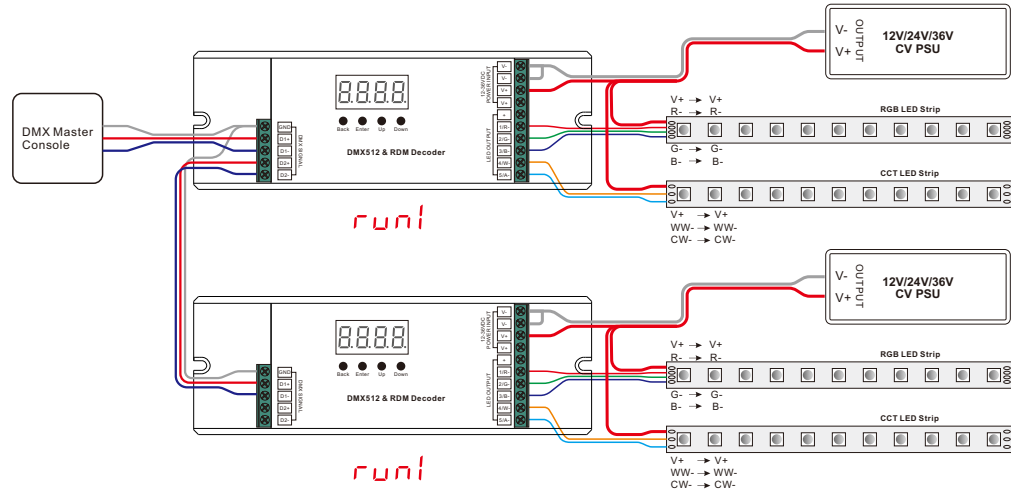


#### 2. Work as Decoder mode

1) When total load of each receiver is not over 20A



2) When total load of each receiver is over 20A



#### RDM Discovery Indication:

When using RDM to discover the device, the digital display will flash and the connected lights will also flash at the same frequency to indicate. Once the display stops flashing, the connected light also stops flashing.