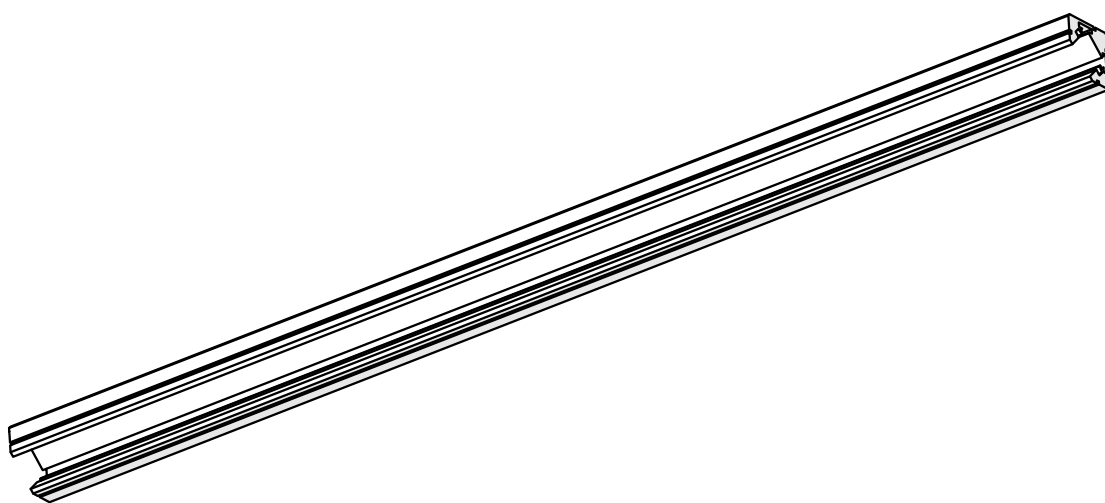
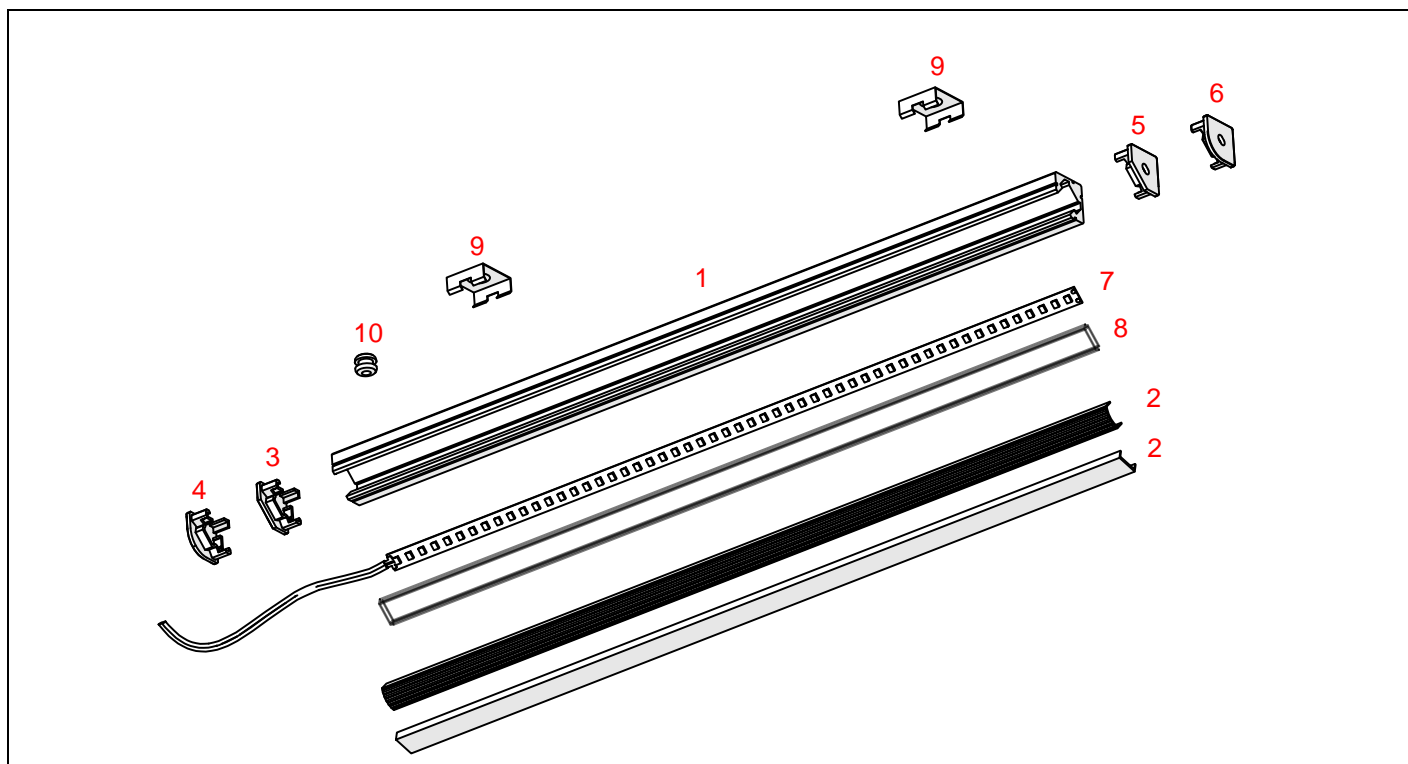
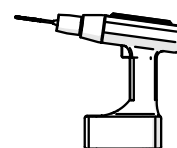


Profile 45-PLUS





NOT INCLUDED

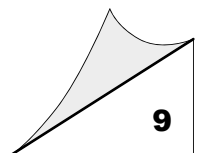
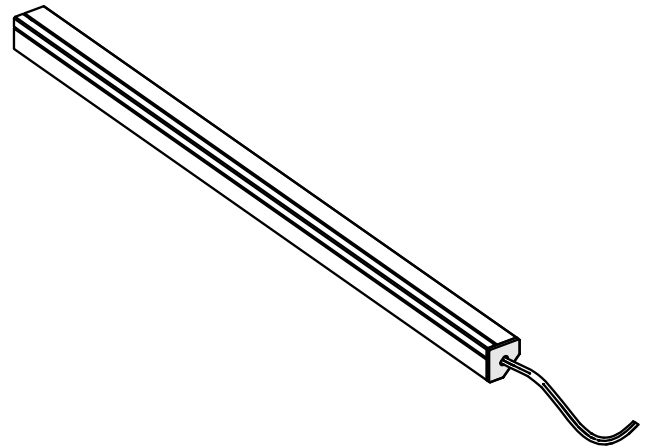
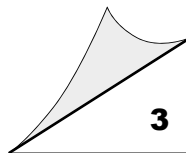
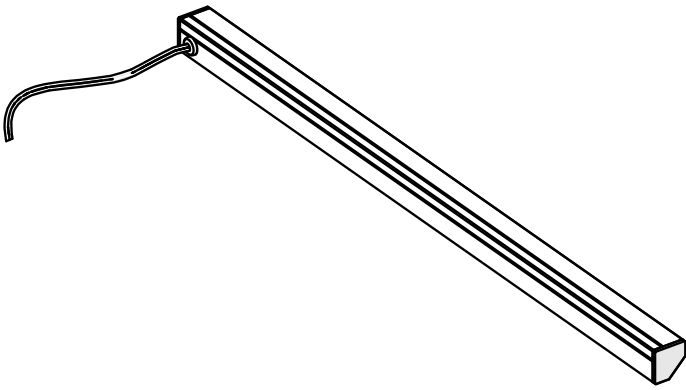


- 1. Profile 45-PLUS (Ref. A00005A)
- 2. Cover*
- 3. End cap 45-PLUS (Ref. C20007C)
- 4. End cap 45-PLUS-R (Ref. C20008C)
- 5. End cap 45-PLUS-OTW (Ref. C20007C TW)
- 6. End cap 45-PLUS-R-OTW (Ref. C20008C TW)
- 7. LED tape*
- 8. Silicon sleeve 8-KLIK*
- 9. Mounting bracket 45-STN*
- 10. Gland*

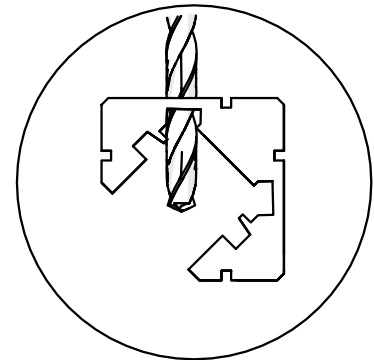
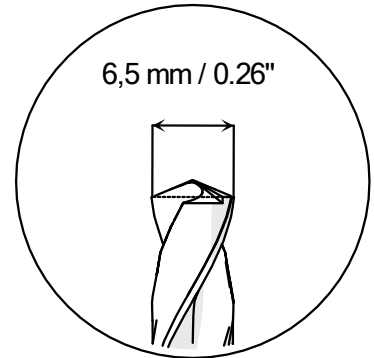
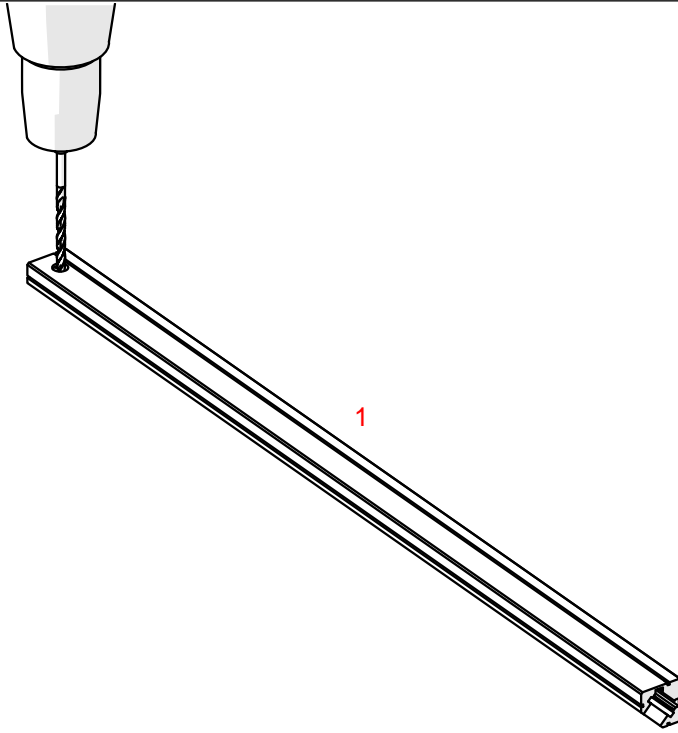
* The full range of accessories and electronics is available at www.KlusDesign.eu

NOTE! ! All LED tapes must be connected to a 24V DC power supply.

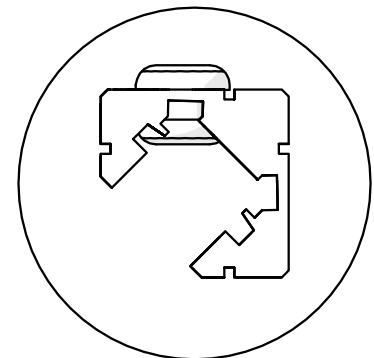
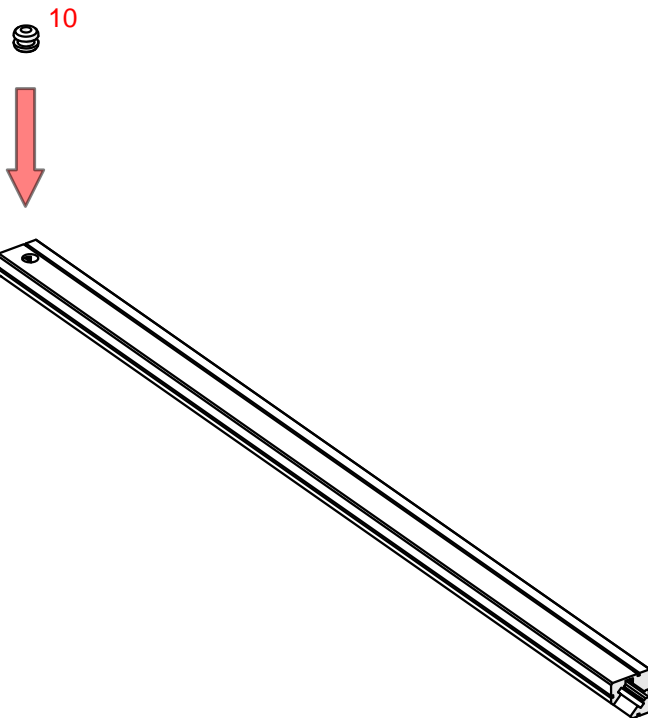
IMPORTANT: Not all possible mounting procedures are presented here. More mounting procedures and related accessories can be found at www.KlusDesign.eu. Drawings in these instructions are simplified and only approximate the actual shapes.

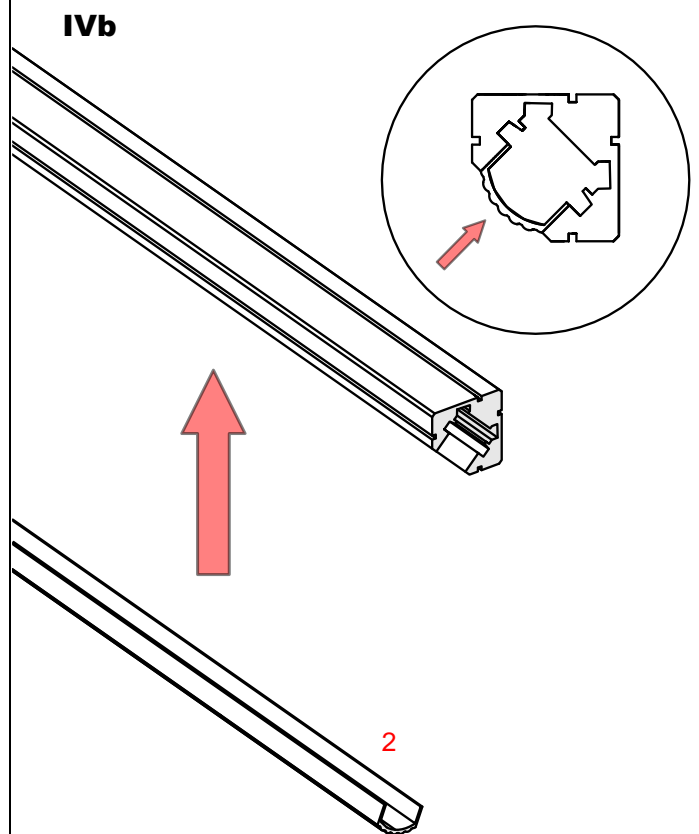
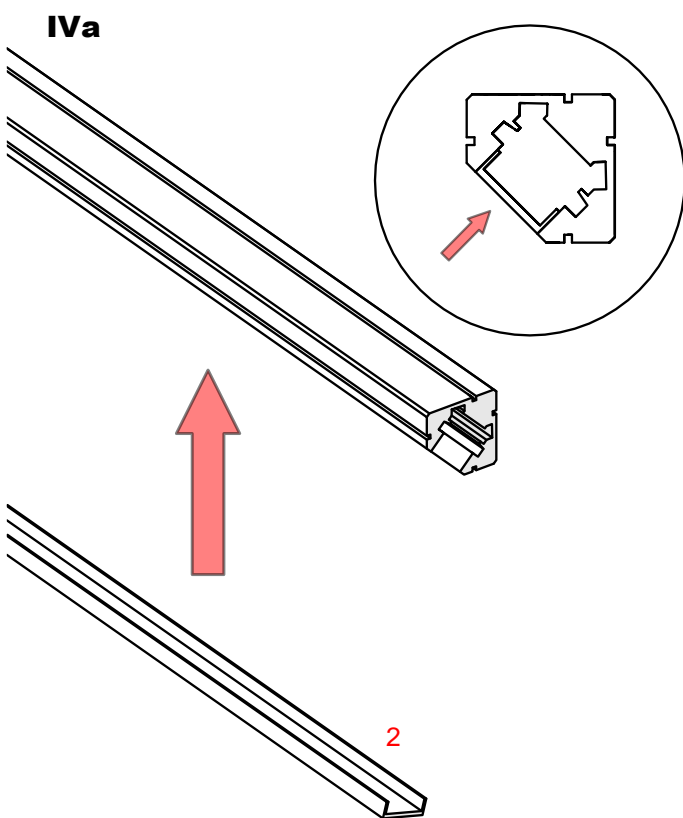
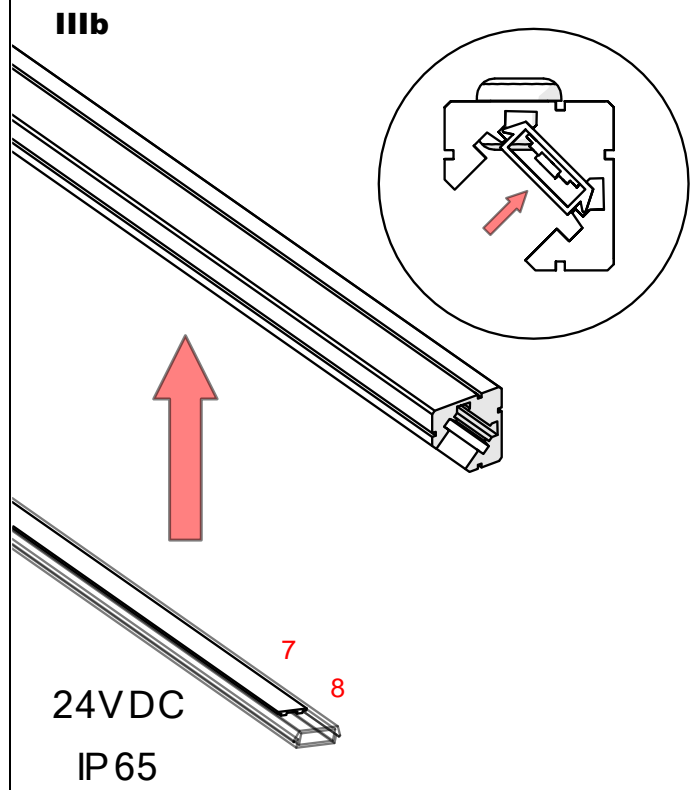
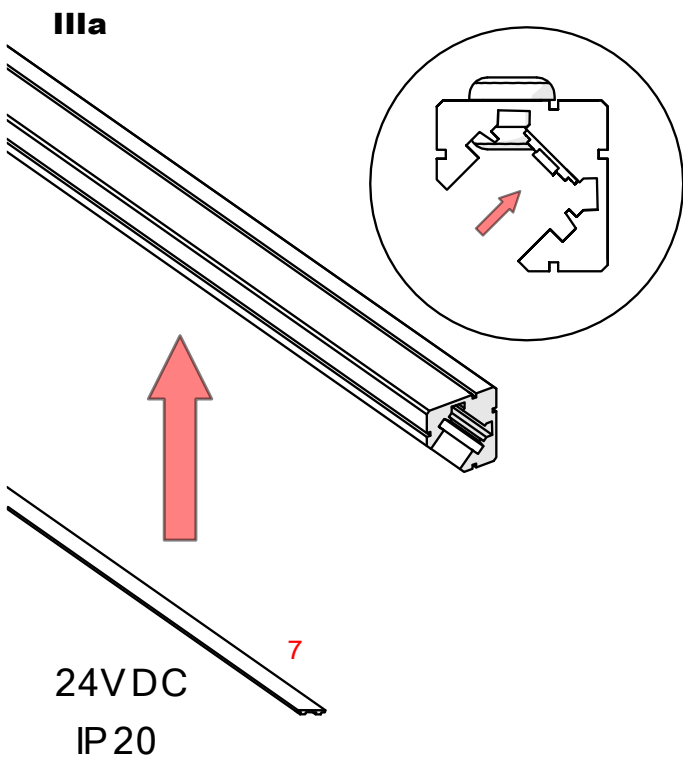


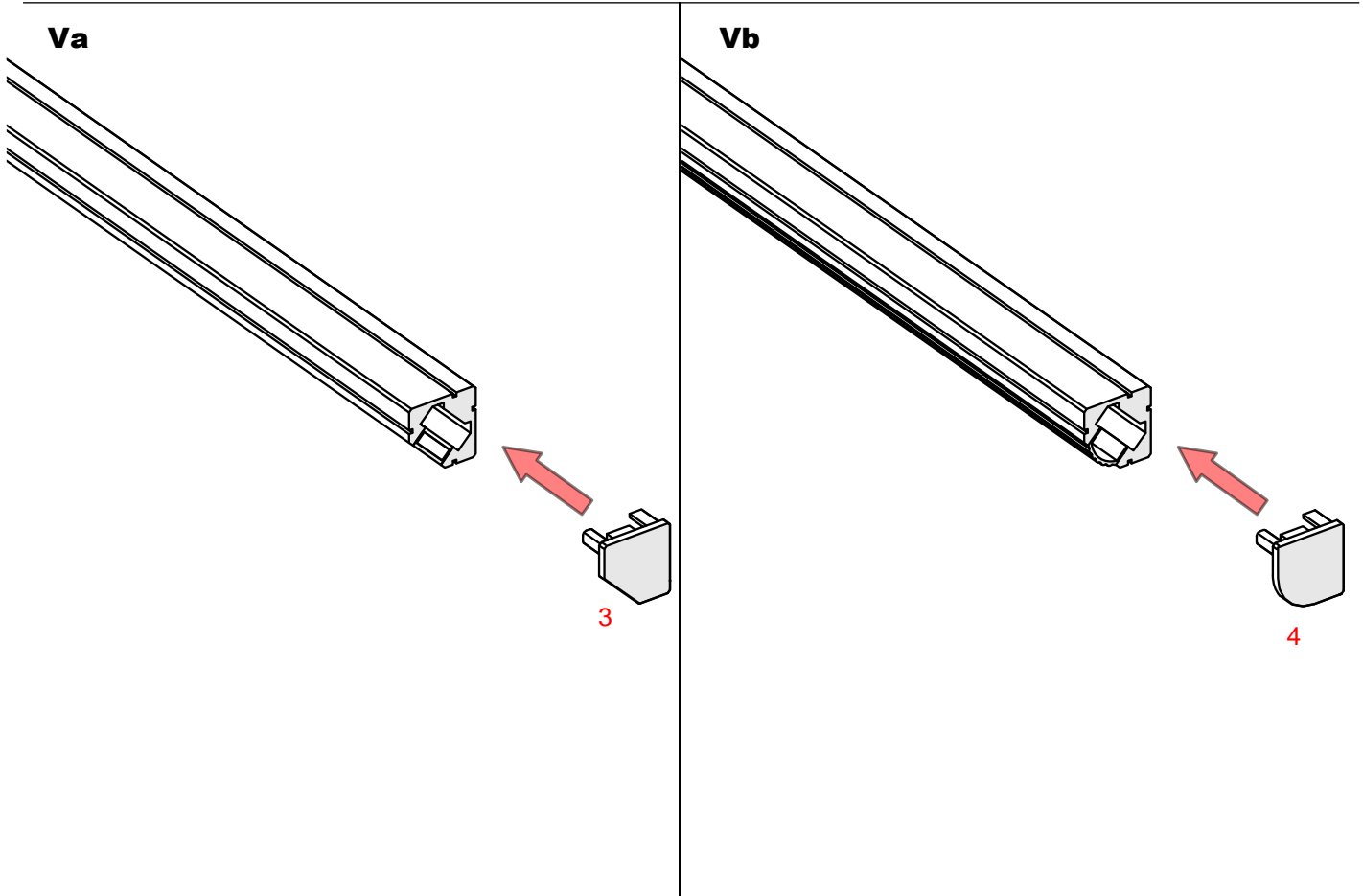
I



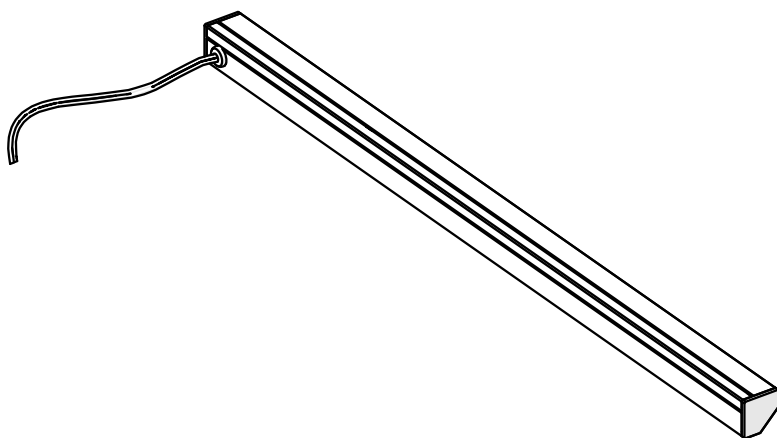
II



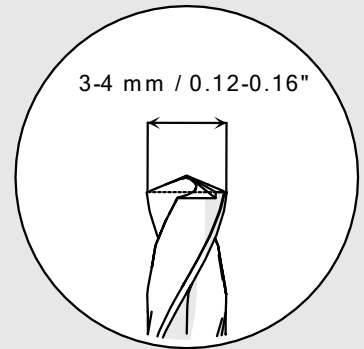
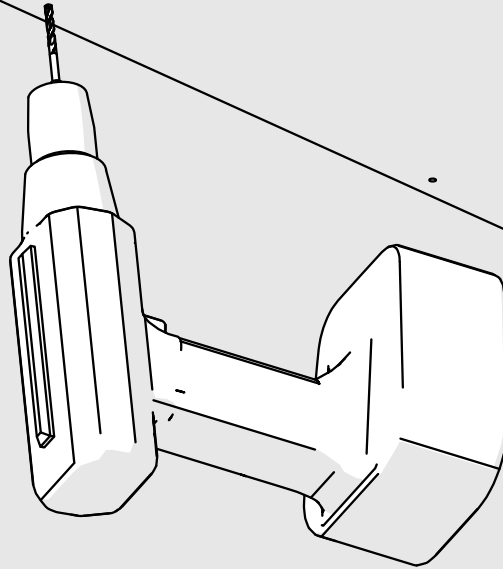




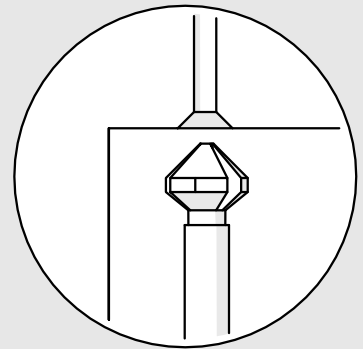
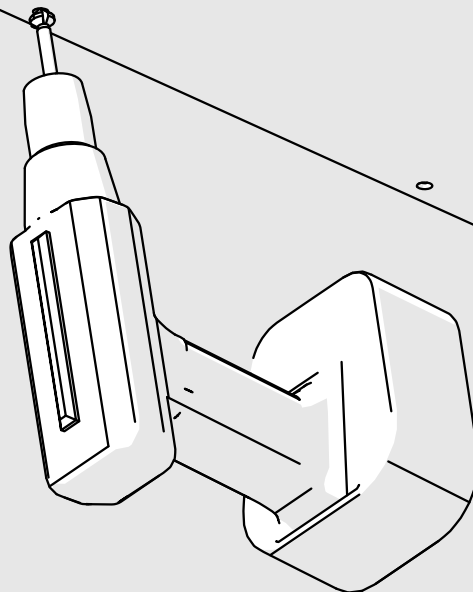
VI

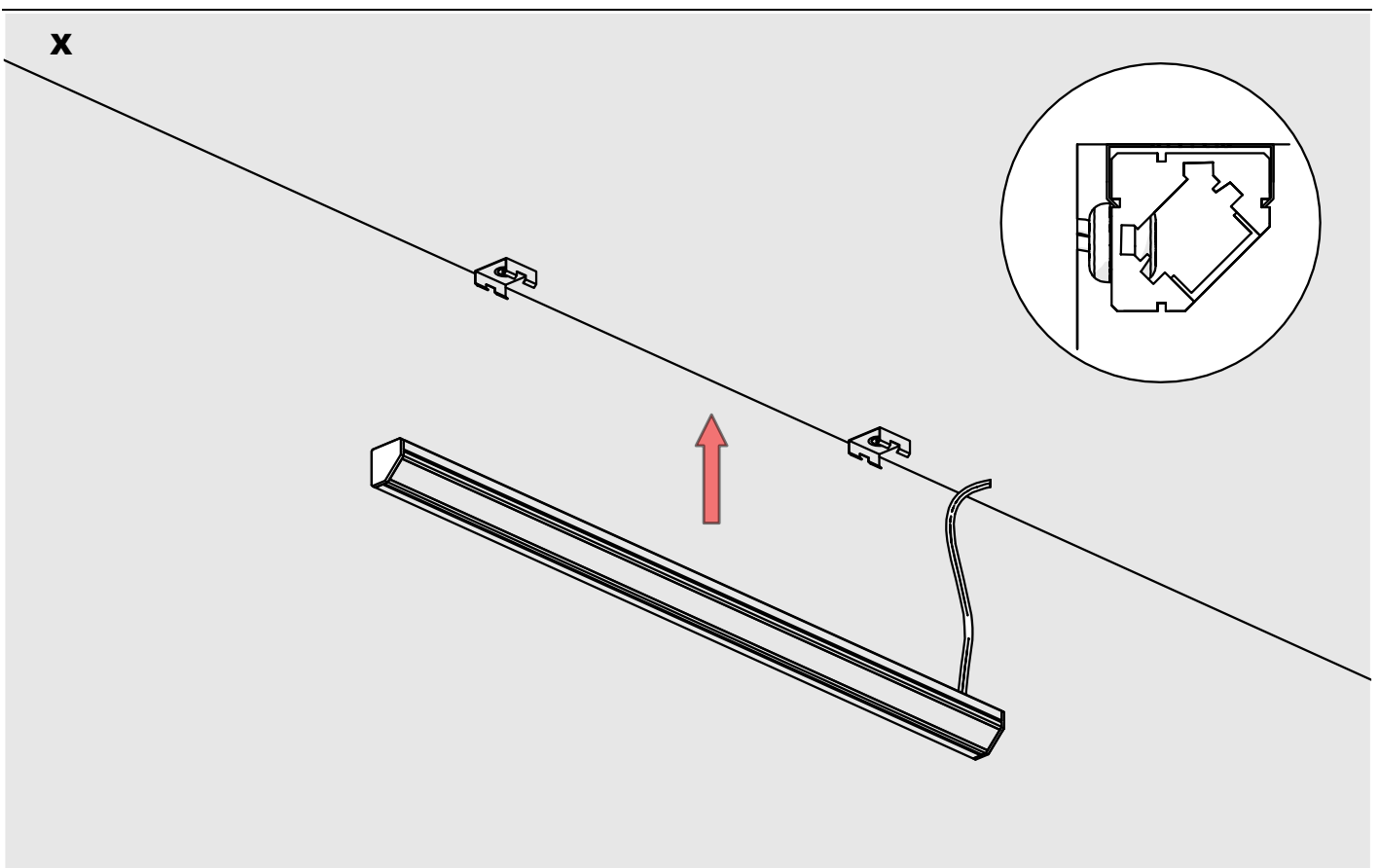
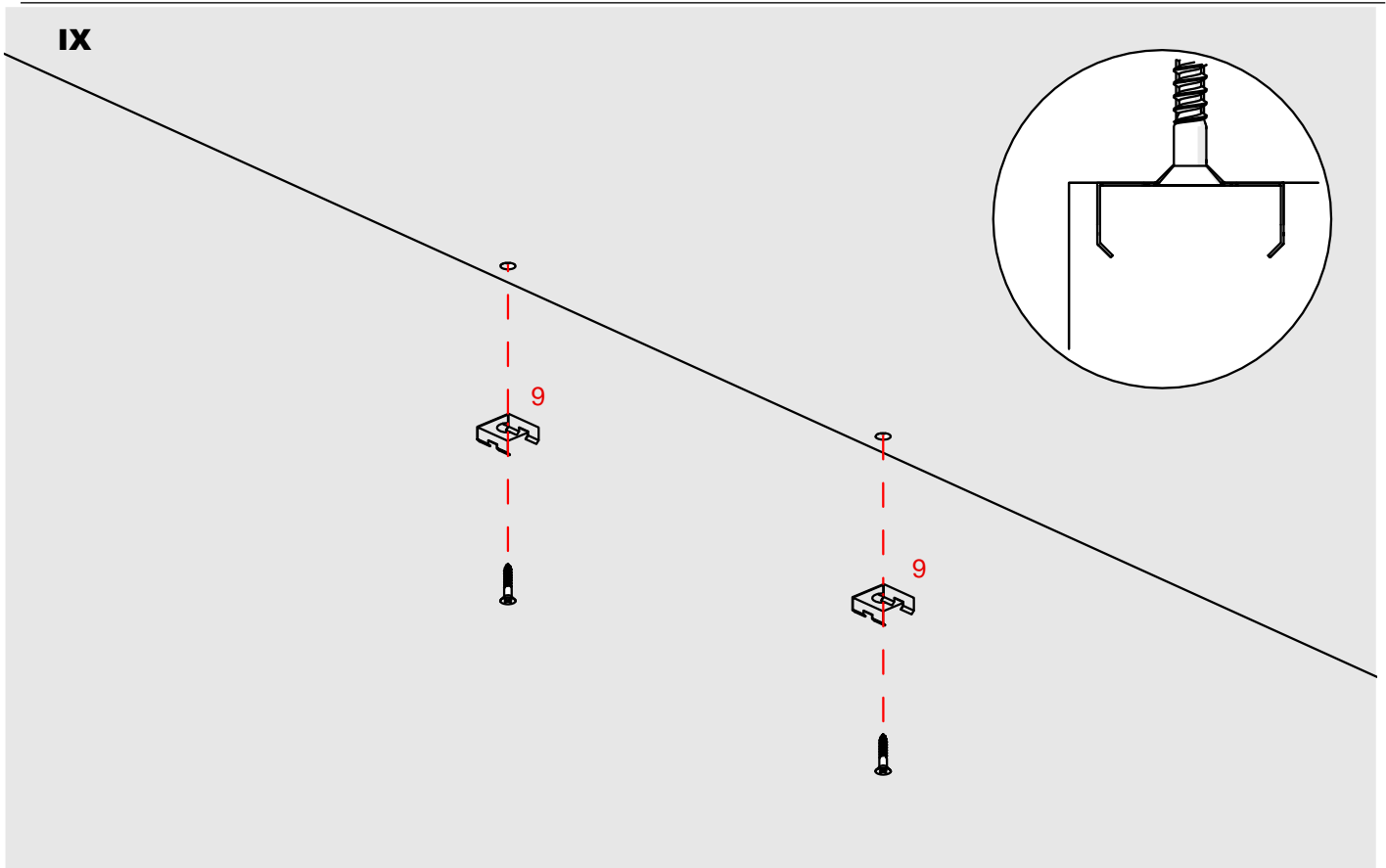


VII

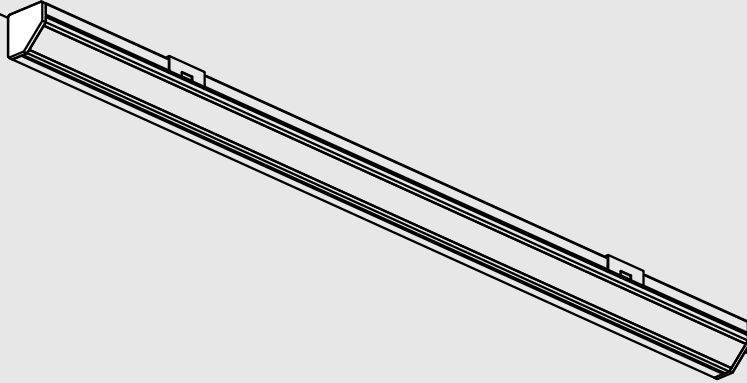


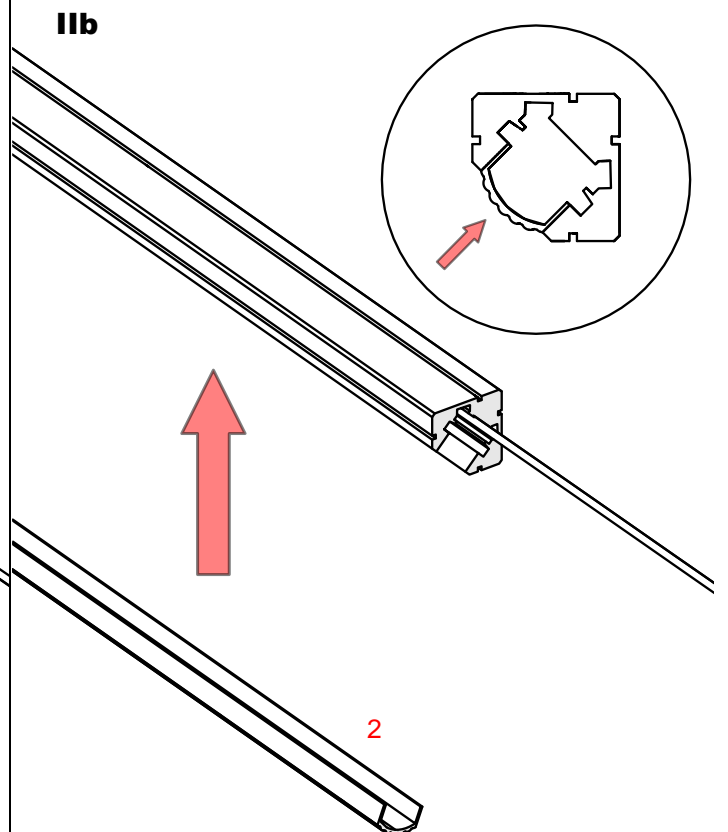
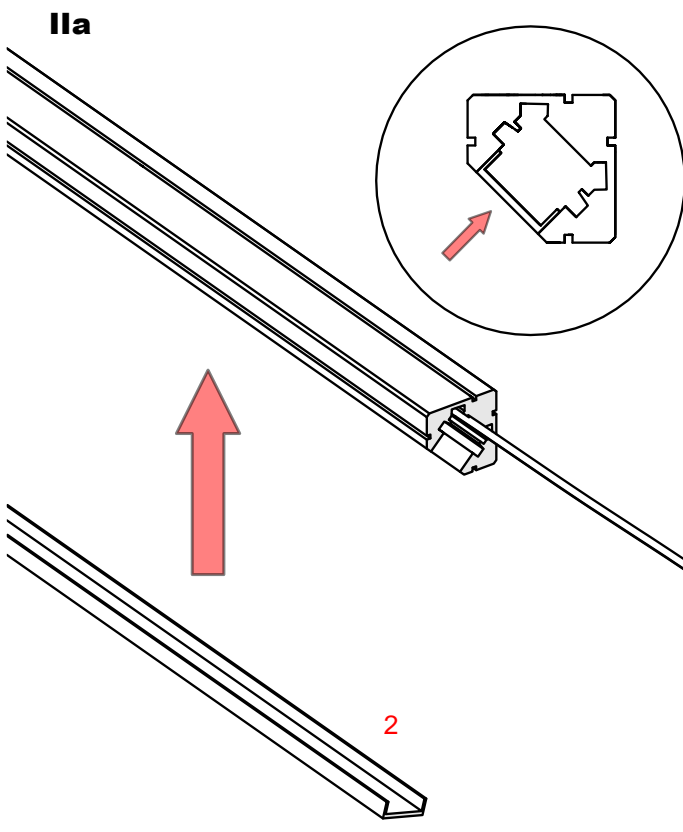
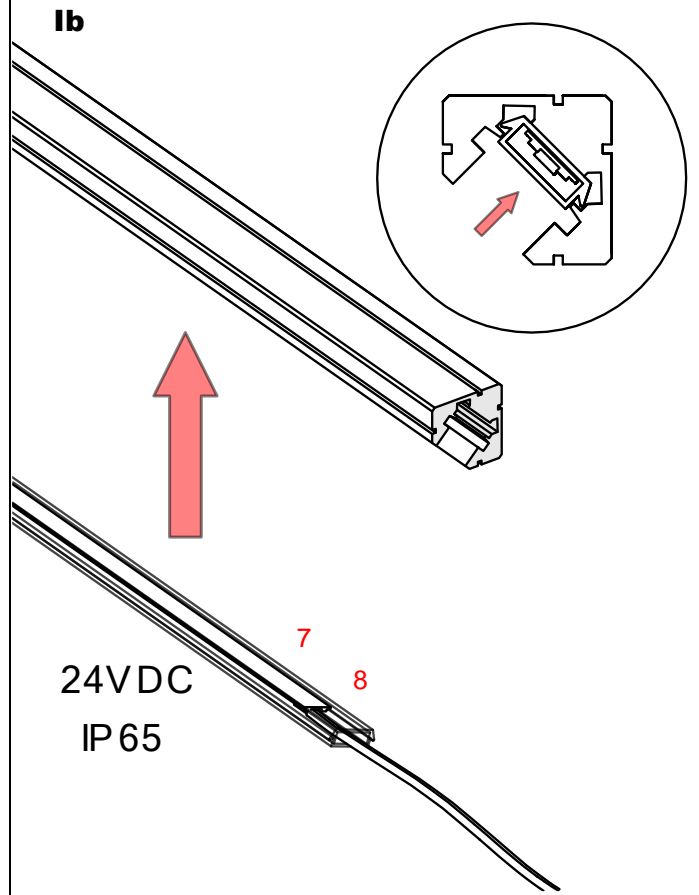
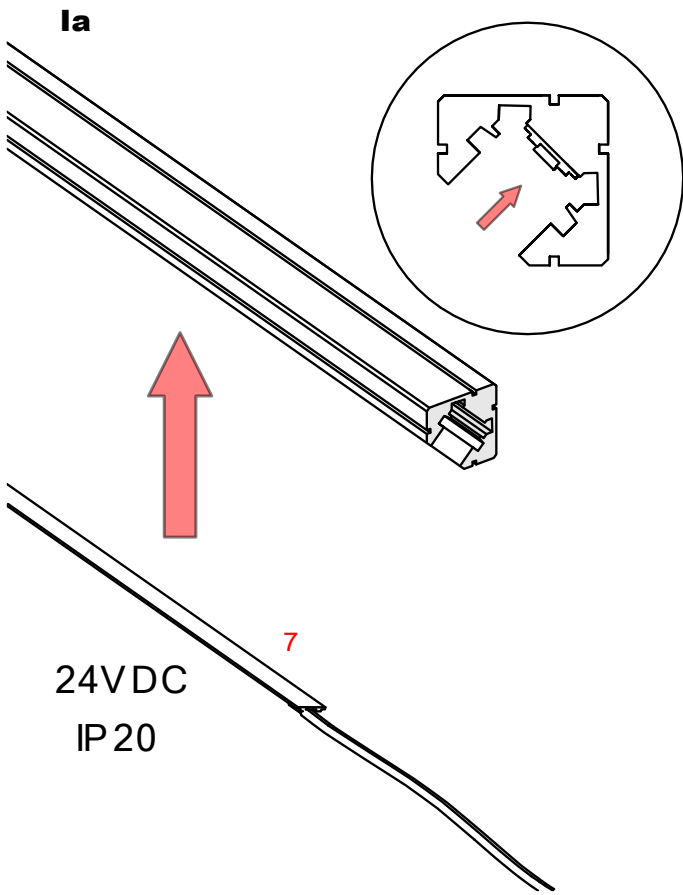
VIII

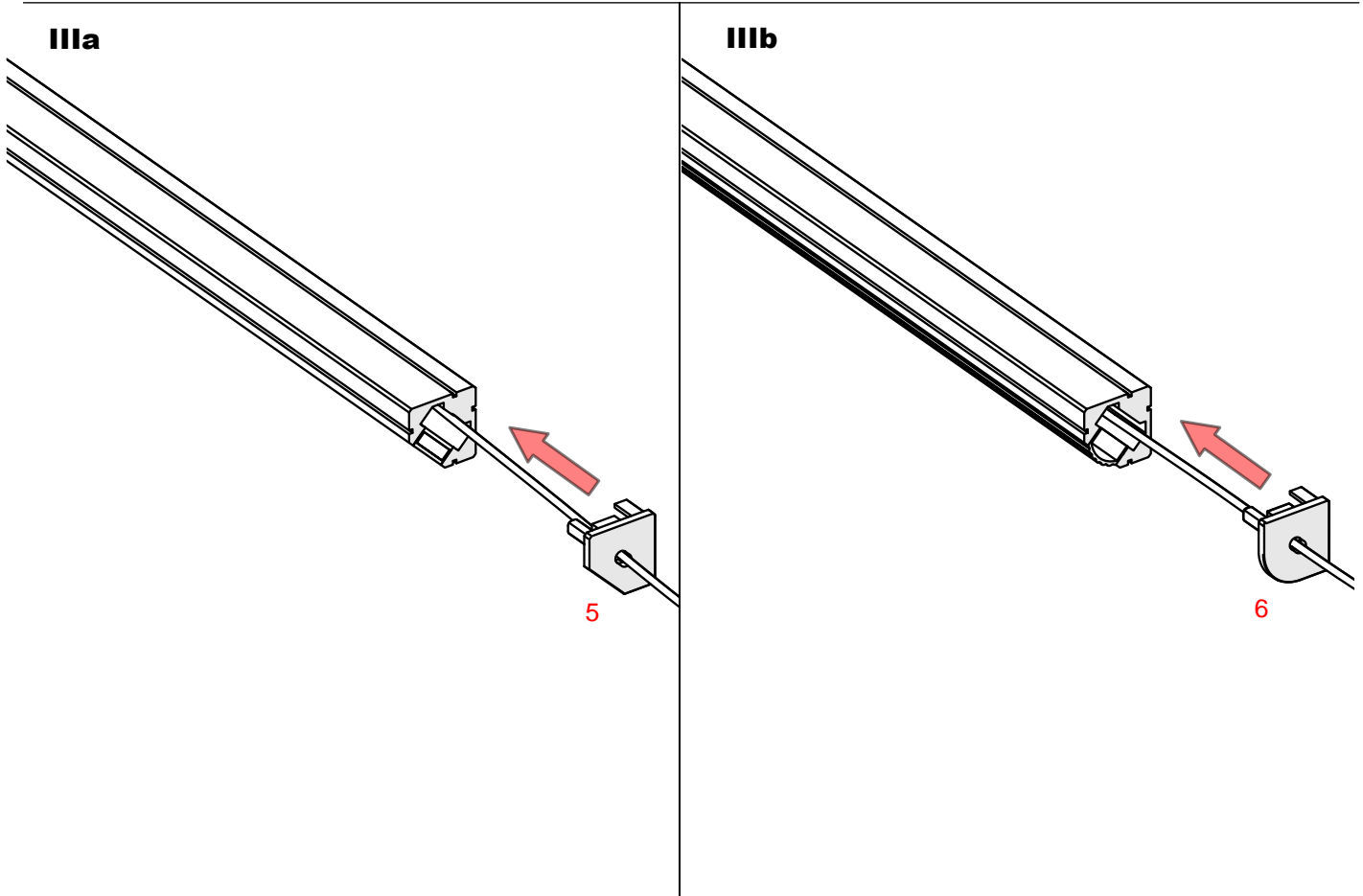




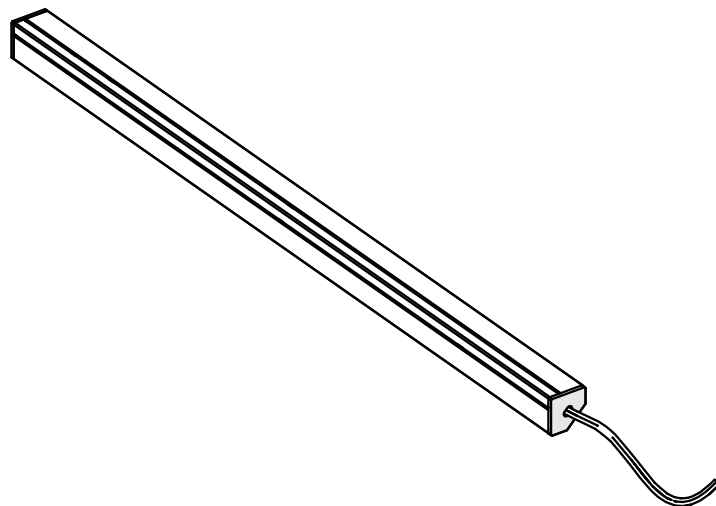
XI





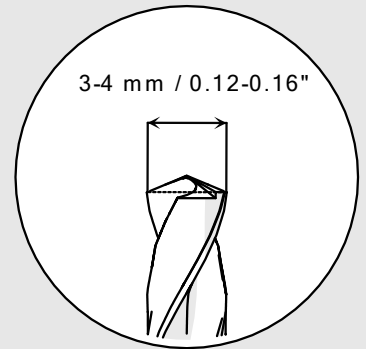
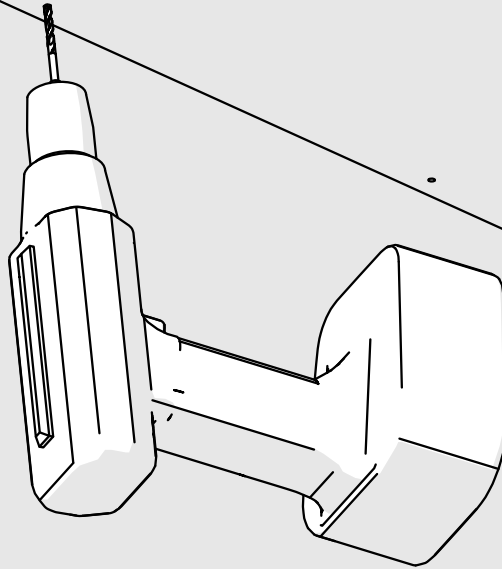


IV

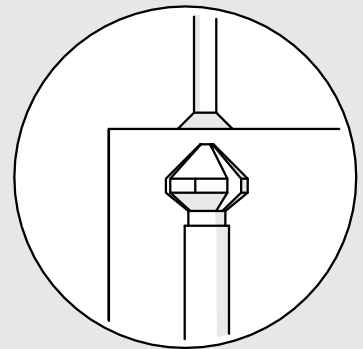
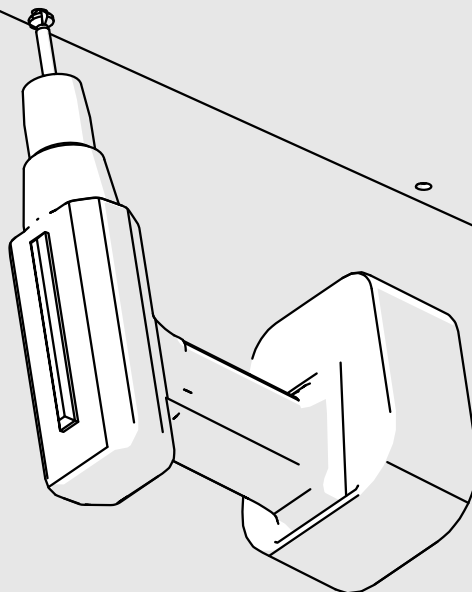


V

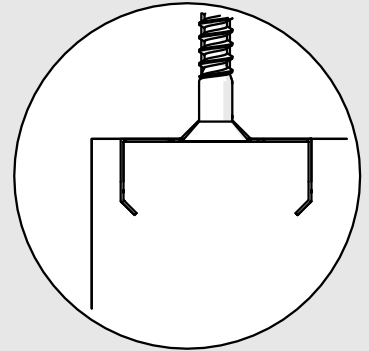
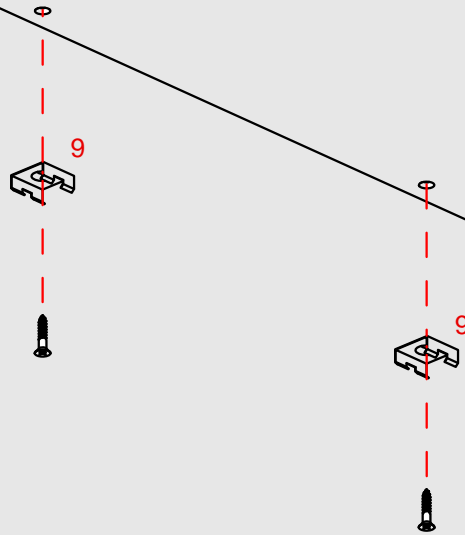
3-4 mm / 0.12-0.16"



VI



VII



VIII

