

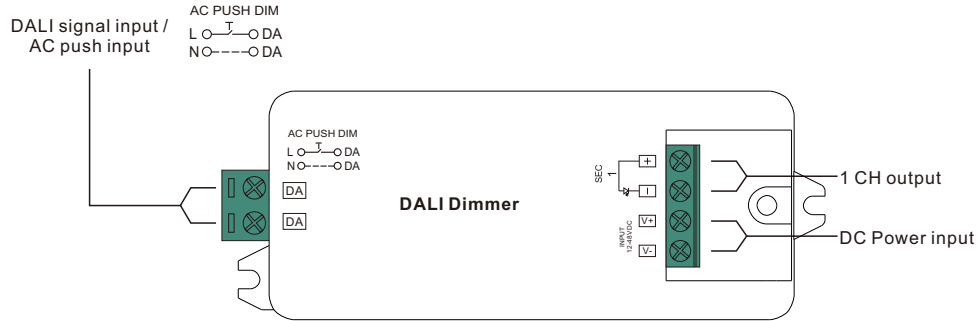
# 1 Channel DALI Dimmable (Push Dim)

70040019



**Important:** Read All Instructions Prior to Installation

## Function introduction



## Product Data

| No. | Input Voltage | Output Current              | Output Power                         | Remarks          | Size(LxWxH) |
|-----|---------------|-----------------------------|--------------------------------------|------------------|-------------|
| 1   | 12-48VDC      | 1x8A@12-36VDC<br>1x4A@48VDC | 1x(96-288)W@12-36VDC<br>1x192W@48VDC | Constant voltage | 95x37x20mm  |
| 2   | 12-48VDC      | 1x350mA                     | 1x(4.2-16.8)W                        | Constant current | 95x37x20mm  |
| 3   | 12-48VDC      | 1x700mA                     | 1x(8.4-33.6)W                        | Constant current | 95x37x20mm  |

- In compliance with IEC 62386-101:2014, IEC 62386-102:2014, IEC 62386-207 Ed2.
- Built-in DALI-2 interface, DALI DT6 device
- Match all DALI systems in the market
- Push dimmer/DALI dimmer optional
- 1 DALI address input, 1 channel PWM output

## Safety & Warnings

- DO NOT install with power applied to device.
- DO NOT expose the device to moisture.

## Operation

Do wiring according to connection diagram.

This product has both DALI dimmer and push dimmer functions while connected with DALI master controllers and AC push switches respectively.

### 1.DALI Dimmer

DALI address is assigned by DALI Master controller automatically, please refer to user manuals of compatible DALI Masters for specific operations.

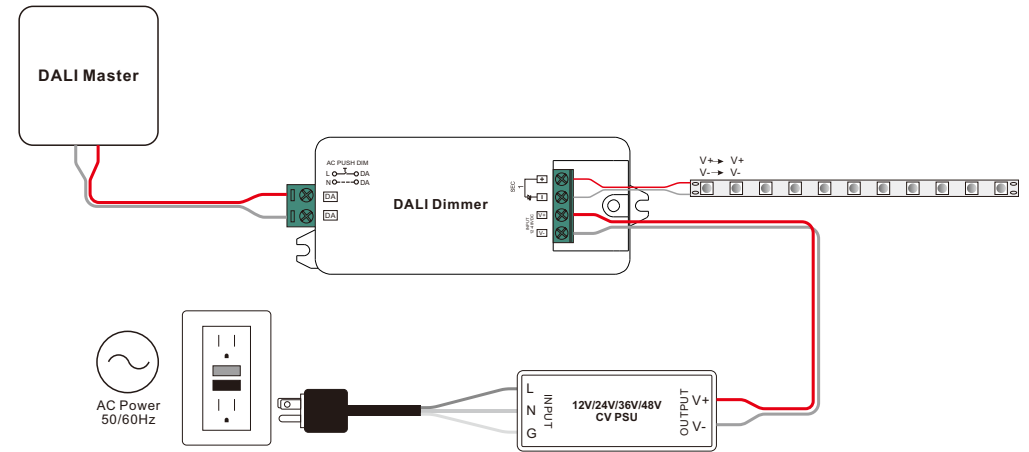
### 2.Push Dimmer

2.1.Click the button to switch ON/OFF

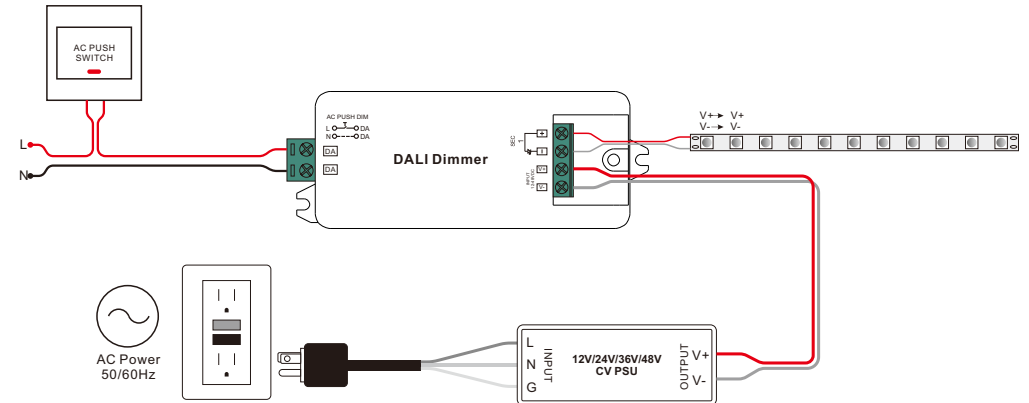
Press and hold down the button to increase or decrease light intensity to desired level and release it, then repeat the operation to adjust light intensity to opposite direction.

## Wiring Diagram

### 1.Control by DALI master



### 2.Control by AC push switch



## Product Dimension

