

RF Dual Color Wall Mounted Controller

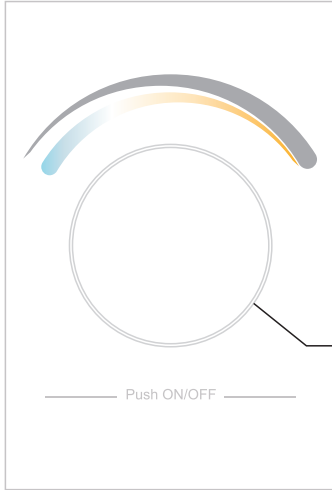
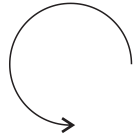
09.286CD.04275



Important: Read All Instructions Prior to Installation

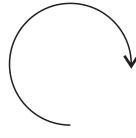
Function introduction

Rotate the knob counterclockwise:
1. Decrease light intensity from 100% to 1% (brightness mode).
2. Change color temperature from warm white to cold white (dual color mode)

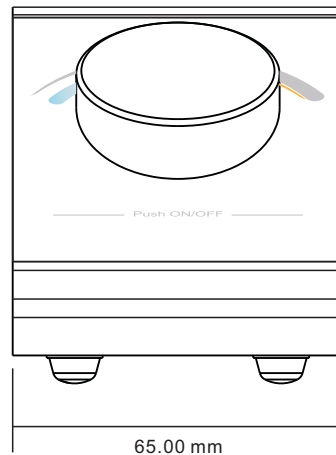
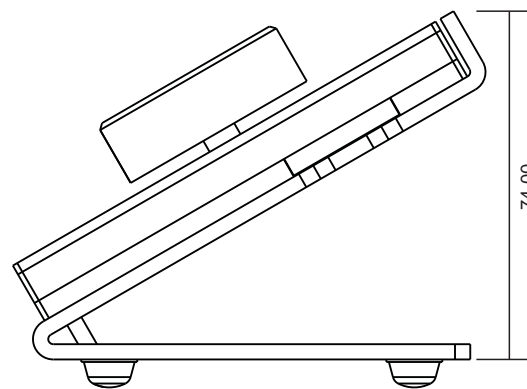


Front side

Rotate the knob clockwise:
1. Increase light intensity from 1% to 100% (brightness mode).
2. Change color temperature from cold white to warm white (dual color mode)



Click the knob to switch ON/OFF. Press and hold down to adjust brightness to 100%. Double click the knob to switch between dual color mode and brightness mode.



Product Data

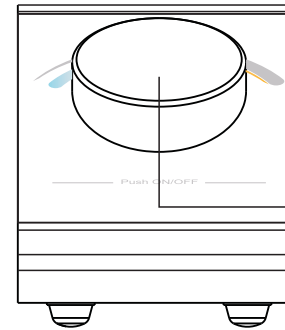
Output Signal	RF signal
Power Supply	3V(CR2025)
Power consumption	10 mA
Operating temperature	0-40°C
Relative humidity	8% to 80%
Dimensions	96x65x74mm

- Rotation sensitive
- Compatible with all universal series RF receivers
- Radio frequency: 868/869.5/916.5/434MHz
- Control CCT color
- Control 1 zone of RF receiver
- Waterproof grade: Ip20

Safety & Warnings

- DO NOT install with power applied to device.
- DO NOT expose the device to moisture.

Pair with RF receiver



Step 1: Do wiring the RF receiver according to wiring diagram (please refer to the instruction of RF receiver that you would like to pair with).



Step 2: Click the "Learning Key" button on RF receiver to set it into pairing status

Step 3: Rotate or click the knob, LED lights connected with the RF receiver flicker once means the receiver is paired with the remote successfully.

Note: one receiver can be paired with max 8 remote controls.

Installation

